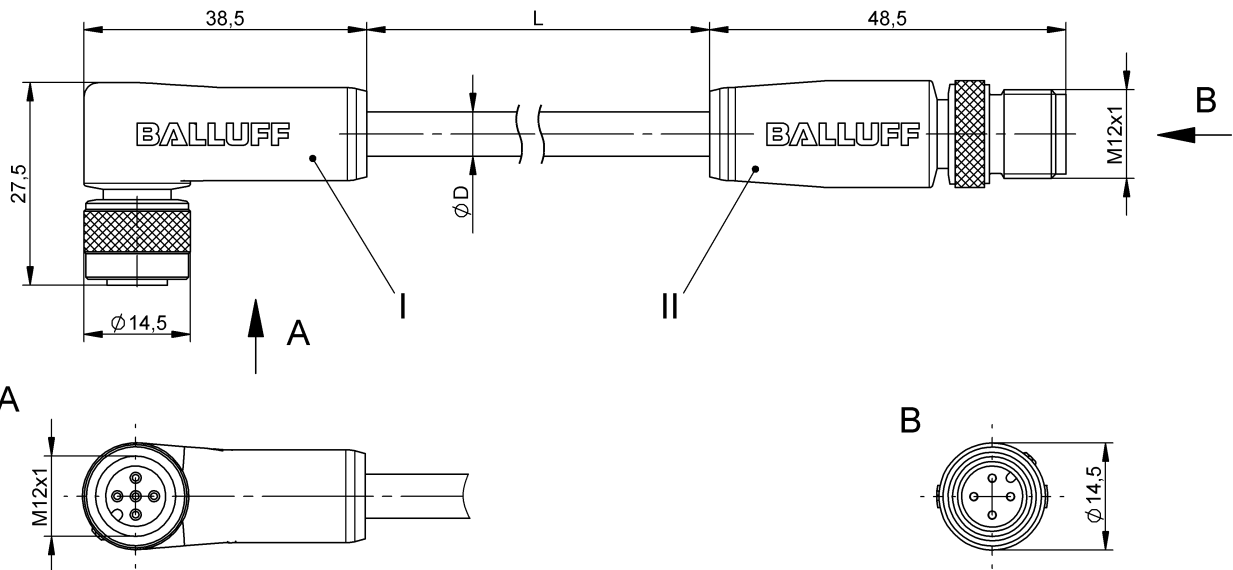


Double-Ended Cordsets  
**BCC W425-W414-3A-650-SW0434-050**  
**Order Code: BCC0FR7**

**BALLUFF**



**Basic features**

Application	Welding area
Approval/Conformity	CE cULus WEEE

**Display/Operation**

Function indicator (Pin 2)	LED white
Function indicator (Pin 4)	LED yellow
Power indicator	LED green/no

**Electrical connection**

Bending radius min., fixed cable	10 x D
Bending radius min., flexible cable	15 x D
Cable	Silicone welding spark resistant black, 5 m
Cable diameter D	5.70 mm ±0.25 mm
Conductor cross-section	0.34 mm <sup>2</sup>
Connection 1	M12x1-Female, angled, 5-pin, A-coded
Connection 2	M12x1-Male, straight, 4-pin, A-coded
Number of conductors	4
System	Molded/Molded

**Electrical data**

Operating voltage Ub	30 VDC
Rated current (40 °C)	4.0 A

**Environmental conditions**

Cable temperature UL max., fixed routing	150 °C
Cable temperature UL max., flexible routing	150 °C
Cable temperature, fixed routing	-40...200 °C
Cable temperature, flexible routing	-25...200 °C
IP rating	IP65/IP65

**Interface**

Switching output	Complementary
------------------	---------------

**Material**

Cable jacket material, note	welding spark resistant
Cable jacket, material	Silicone
Material contact carrier	PUR, special/PUR, special
Material contacts	Bronze/Brass
Material cover nut	Brass PTFE coated/Brass PTFE coated
Material grip	PUR, special/PUR, special

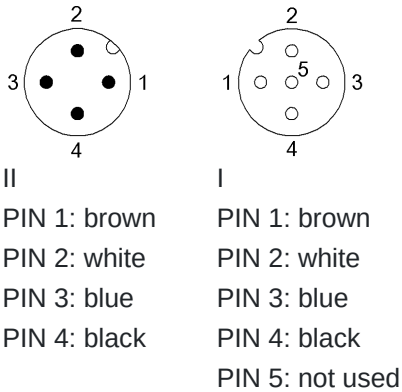
**Mechanical data**

Cable jacket, color	black
Cable length L	5.00 m
Tightening torque pigtail	0.6 Nm/0.6 Nm

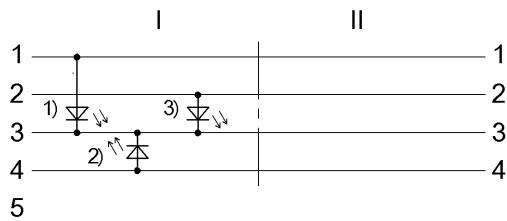
**Remarks**

Cable construction acc. to UL-AWM Style 4535  
 Halogen-free per IEC 60754  
 Maximum temperature at outer jacket from weld spatter/beads short-time 800°C.  
 Enclosure rating per IEC 60529, only in screwed state with the associated mating piece.

**Connector Drawings**



**Wiring Diagrams**



- 1) Green LED = Power
- 2) Yellow LED = Function
- 3) LED white = Function